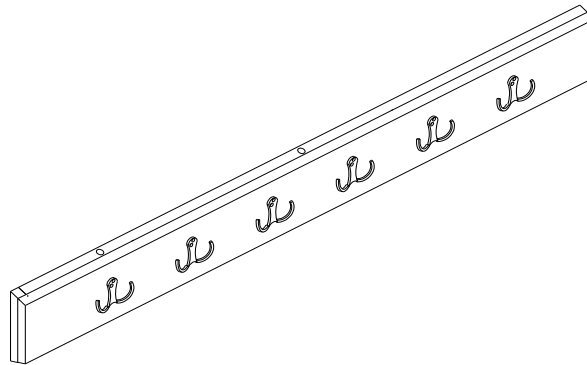


Alaterre Furniture

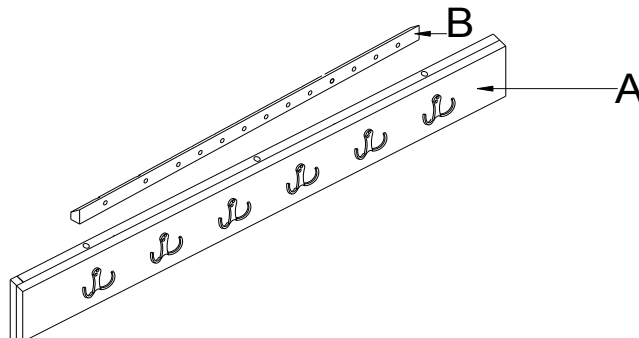
Coat Hooks



Thank you for purchasing our Coat Hooks. Assembly of this product requires a screwdriver. We have found it helpful to have a second person present in at least one step of the assembly.

Coat Hooks Assembly Instructions

Lay out all parts on a "non-abrasive" surface to avoid scratching furniture.



NO.	DRAWING	DESCRIPTION	Q'TY
A		HOOK PLATE	1
B		FRENCH CLEAT	1
C		WOOD SCREW 4*50	4

PARTS

Step 1

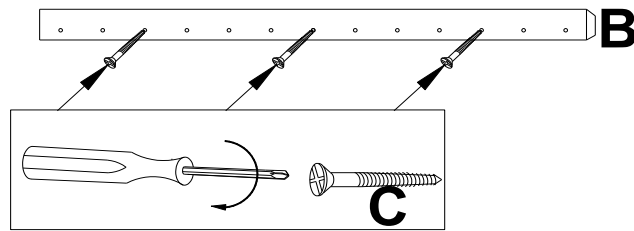
Read through these instructions thoroughly before beginning assembly. We have found this to be of great value when first assembling this product.

Step 2

Remove all parts and hardware from packing material. Wooden pieces should be placed on a non abrasive surface (like the carton or carpet) to prevent damage to the finish. Note the French Cleat (B) is pre-installed on the back of the Hook Plate (A) with 3 of the Wood Screws (C).

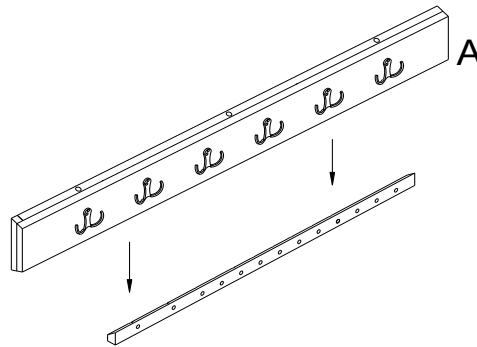
Step 3

Remove the French Cleat (B) from the back of the Hook Plate (A) by unscrewing 3 of the pre-installed Wood Screws (C) on the top of the Hook Plate (B). Locate studs behind drywall in desired location. Attach French Cleat (B) to wall studs with 2 Wood Screws (C).



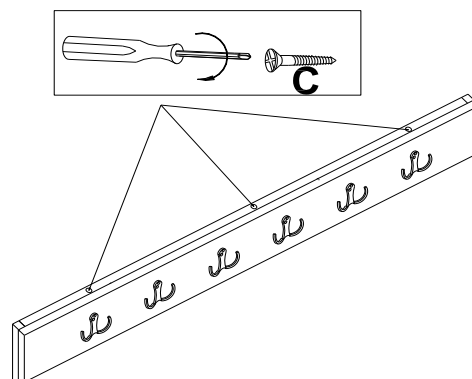
Step 4

Set Hook Plate (A) on French Cleat (B).



Step 7

Attach Hook Plate (A) to French Cleat (B) with 3 Wood Screws (C).



CARE

Clean with mild soap and wipe dry.

REPLACEMENT PARTS

Please do not contact the company you purchased from as we can help you faster.

Order replacement parts and hardware at "alaterrefurniture.com"